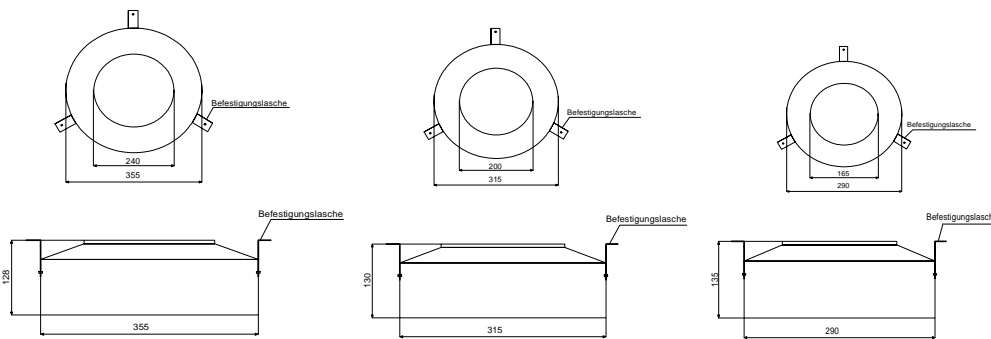


# Accessory for ceiling/in-wall & on-wall-loudspeaker-systems

A  
C  
C  
E  
S  
S  
O  
R  
Y



DLS

CLB

WUL

- IN-WALL/CONCRETE-DOME UP AND FIRE-DOME FT RUST-PROTECTED
- IN-WALL/CONCRETE-DOME UP FOR SDL/ODL-170F & EPS-2000 OPT.
- EVERY FIRE-DOME & IN-WALL-DOME IN CUSTOM-SIZE OBTAINABLE
- VOLUME-CONTROL & 24-V-RELAY IN DIFFERENT VARIATIONS AVAILABLE



WLA

WHL

WLQ

A.O.

